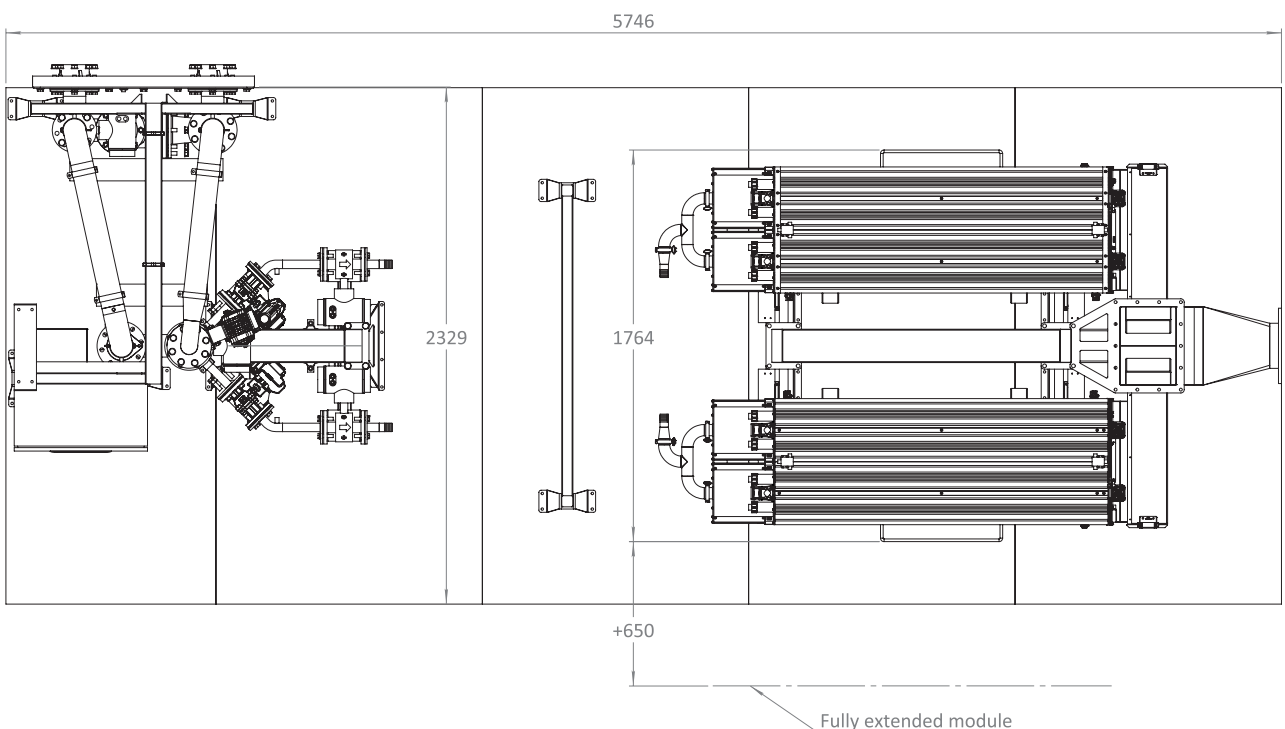
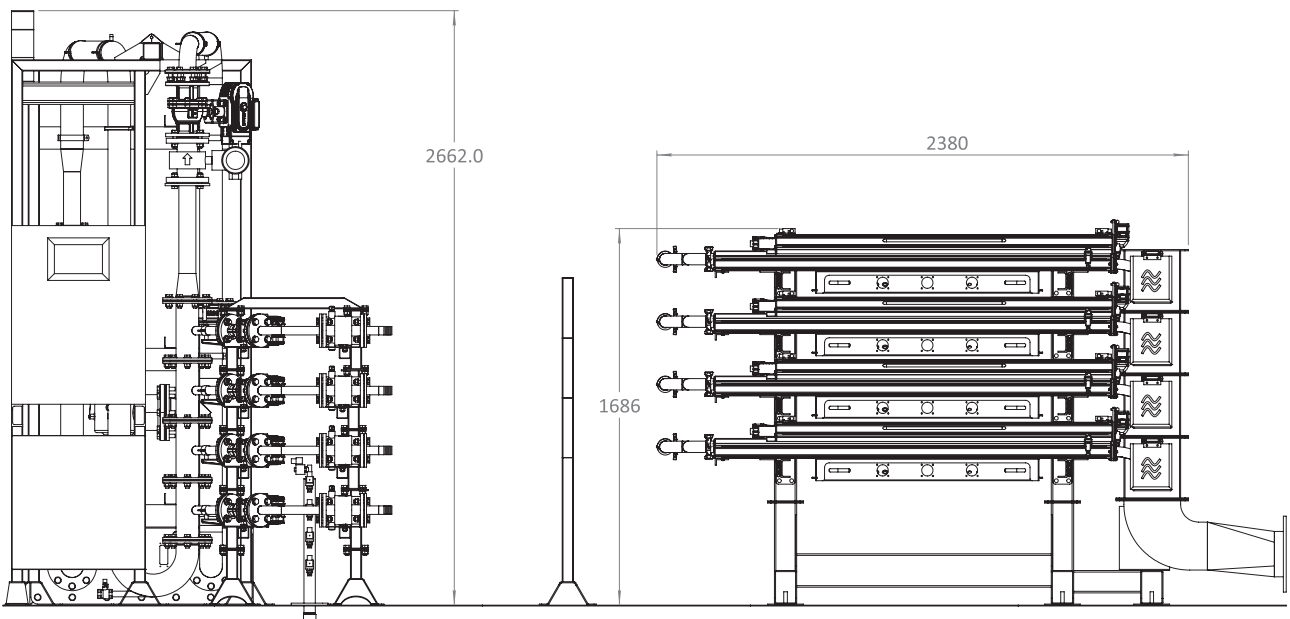


Technical Data & System Specifications

NovoLabs Modular SCUUV Series — for Ultra Low UVT applications

The NovoLabs SCUUV novel technology has patents granted, or pending in the USA, Canada, China, Europe, India, Australia and New Zealand. New Zealand Patent Application Nos. 741319 and 783308.



Model	SCUV 400	SCUV 400 Plus	SCUV 800	SCUV 800 Plus	SCUV 1600	SCUV 1600 Plus	SCUV 2400	SCUV 2400 Plus	SCUV 3200	SCUV 3200 Plus	SCUV 4000	SCUV 4000 Plus
No. of SUCV Treatment Modules	1	1	2	2	4	4	6	6	8	8	10	10
Max Flow Rate Capacity m ³ /day*	570	570	1140	1140	2280	2280	3420	3420	4560	4560	5700	5700
Max Flow Rate Capacity L/min*	400	400	800	800	1600	1600	2400	2400	3200	3200	4000	4000
Max Flow Rate Capacity L/s*	6.7	6.7	13.3	13.3	26.7	26.7	40.0	40.0	53.3	53.3	66.7	66.7
* Note: Maximum flow rate differs for each application and is subject to site-specific testing. Lower throughput rates are required for very low UVT difficult-to-treat liquids.												
Lamps & Lamp Monitoring												
Number of UV Lamps	2	4	4	8	8	16	12	24	16	32	20	40
Max. Lamp Output (Combined) W.	520	1040	1040	2080	2080	4160	3120	6240	4160	8320	5200	10400
UV Lamp	High Output, Low-pressure Amalgam	High Output, Low-pressure Amalgam	High Output, Low-pressure Amalgam	High Output, Low-pressure Amalgam	High Output, Low-pressure Amalgam	High Output, Low-pressure Amalgam	High Output, Low-pressure Amalgam	High Output, Low-pressure Amalgam	High Output, Low-pressure Amalgam	High Output, Low-pressure Amalgam	High Output, Low-pressure Amalgam	High Output, Low-pressure Amalgam
Energy Consumption (U/L) at max. flow rate.	78	156	78	156	78	156	78	156	78	156	78	156
Standard Features & Inclusions												
Individual Lamp Monitoring	Yes	Yes	Yes	Yes	Yes	Yes	Yes	Yes	Yes	Yes	Yes	Yes
Lamp Temperature Control	Optional	Yes	Optional	Yes	Optional	Yes	Optional	Yes	Optional	Yes	Optional	Yes
Parallel Processing	No	No	Yes	Yes	Yes	Yes	Yes	Yes	Yes	Yes	Yes	Yes
Automatic Flowrate Management	Yes	Yes	Yes	Yes	Yes	Yes	Yes	Yes	Yes	Yes	Yes	Yes
Automated Flush System	Yes	Yes	Yes	Yes	Yes	Yes	Yes	Yes	Yes	Yes	Yes	Yes
Automated Lamp-Out Alarm	Yes	Yes	Yes	Yes	Yes	Yes	Yes	Yes	Yes	Yes	Yes	Yes
Automated Lamp-Out Module Switch-Over	No	No	Yes	Yes	Yes	Yes	Yes	Yes	Yes	Yes	Yes	Yes
Low Flow Alert	Yes	Yes	Yes	Yes	Yes	Yes	Yes	Yes	Yes	Yes	Yes	Yes
Return Flow Monitoring	Yes	Yes	Yes	Yes	Yes	Yes	Yes	Yes	Yes	Yes	Yes	Yes
Valve & Flow Meter Monitoring	Yes	Yes	Yes	Yes	Yes	Yes	Yes	Yes	Yes	Yes	Yes	Yes
Lamp Life-Time Hours	Yes	Yes	Yes	Yes	Yes	Yes	Yes	Yes	Yes	Yes	Yes	Yes
UV-safe lamp check sightglasses	Yes	Yes	Yes	Yes	Yes	Yes	Yes	Yes	Yes	Yes	Yes	Yes
Multiple cut out switches (Safety)	Yes	Yes	Yes	Yes	Yes	Yes	Yes	Yes	Yes	Yes	Yes	Yes
314 Stainless Steel inlets and outlet	Yes	Yes	Yes	Yes	Yes	Yes	Yes	Yes	Yes	Yes	Yes	Yes
Air Conditioning Unit	As Required	As Required	As Required	As Required								
Inflow Blockage Prevention Screen	Yes	Yes	Yes	Yes	Yes	Yes	Yes	Yes	Yes	Yes	Yes	Yes
Second Standby Inflow Screen for Continuous Operation	Optional	Optional	Optional	Optional	Optional	Optional	Optional	Optional	Optional	Optional	Optional	Optional
Inlet Screen Back-pressure Monitoring & Alert	Yes	Yes	Yes	Yes	Yes	Yes	Yes	Yes	Yes	Yes	Yes	Yes
Monitor	Micro	Micro	PLC	PLC	PLC	PLC	PLC	PLC	PLC	PLC	PLC	PLC
4G SIM Remote Monitoring	Yes	Yes	Yes	Yes	Yes	Yes	Yes	Yes	Yes	Yes	Yes	Yes
Continuous Monitoring Camera	Yes	Yes	Yes	Yes	Yes	Yes	Yes	Yes	Yes	Yes	Yes	Yes
Operating Requirements												
Power Supply Requirements	1-PH, 10A	1-PH, 10A	1-PH, 10A	1-PH, 16A	3-PH, 16A	3-PH, 20A	3-PH, 20A	3-PH, 32A	3-PH, 32A	3-PH, 32A	3-PH, 32A	3-PH, 32A
	Excludes power allowance for air-conditioning				Includes power allowance for air-conditioning							
Max. Operating Pressure (Bar)	7.5 Bar	7.5 Bar	7.5 Bar	7.5 Bar	7.5 Bar	7.5 Bar	7.5 Bar	7.5 Bar	7.5 Bar	7.5 Bar	7.5 Bar	7.5 Bar
Min. Operating Pressure (Bar)	0.5 Bar	0.5 Bar	0.5 Bar	0.5 Bar	1 Bar	1 Bar	1 Bar	1 Bar	1 Bar	1 Bar	1 Bar	1 Bar
Max. Particulate Size (micron)*	1000	1000	1000	1000	1000	1000	1000	1000	1000	1000	1000	1000
pH Range	**	**	**	**	**	**	**	**	**	**	**	**
Max. Liquid Viscosity	***	***	***	***	***	***	***	***	***	***	***	***

* larger particle throughput possible on request (Subject to treatment goals).

** Contact NovoLabs to discuss liquids that are not neutral

*** Contact NovoLabs to discuss any highly viscous liquids requiring treatment

